

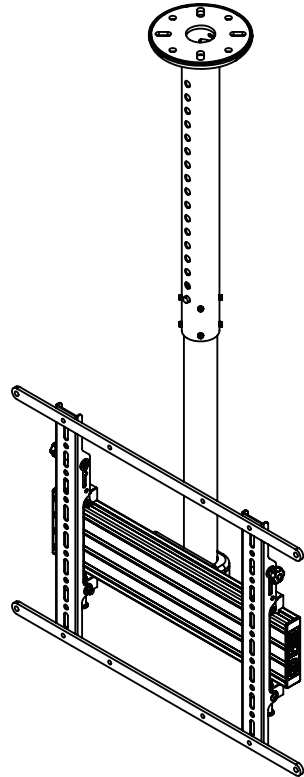


B-TECH AV MOUNTS

## BT8427

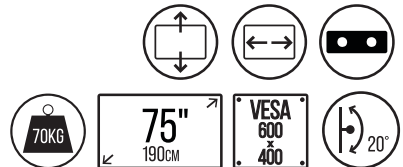
# ADJUSTABLE DROP FLAT SCREEN CEILING MOUNT

## INSTALLATION GUIDE



### SPECIFICATIONS

- Recommended for screens up to: 75" (190cm)
- Max load: 70kg (154lbs)
- Suitable for displays with VESA® and non-VESA fixings up to 600 x 400mm
- Tool-less ceiling drop: 572mm (22.5") - 972mm (38.25") in increments of 25mm (1")
- Tilt adjustment: up to +/-20° (in increments of 5°)
- Integrated cable management
- Simple hook-on installation, all mounting hardware included



# CONTENTS

Installation Safety Notes.....	2
Parts List.....	4
Installation Instructions.....	6
Product Dimensions.....	14
B-Tech Contact Details.....	16

## INSTALLATION & OPERATING SAFETY INSTRUCTIONS



**CAUTION:** This mount is intended for use only with the maximum weights indicated. Use with equipment heavier than the maximum indicated may result in instability causing possible injury.

Do not attempt to install this product until all installation / operating instructions and warnings have been read and properly understood. *Please keep these instructions safe for future reference.*

Please check carefully to make sure there are no missing or defective parts - defective parts must never be used.

B-Tech AV Mounts, its distributors and dealers are not liable or responsible for damage or injury caused by improper installation, improper use or failure to observe these safety instructions. In such cases, all guarantees will expire.

Check with the place of purchase for information on any guarantees, repairs or replacements of this product.

### General

B-Tech AV Mounts recommends that a professional AV installer or other suitably qualified person install this product. Great care must always be taken during installation as most AV equipment is of a fragile nature, possibly heavy and easily damaged if dropped.

If you do not fully understand the instructions or are not sure how to install this product safely, then please consult a professional for advice and/or to install this product for you. Failure to mount this product correctly may cause serious injury or death both during installation and at any time thereafter.

Do not mount any AV equipment that exceeds the specific weight limit of the product you are installing.

This weight limit will be clearly stated on each product and its packaging and will vary from product to product.

### Product location

Please pay careful attention to where this product is located. Check load capacity of the ceiling prior to installation to ensure that it can support the combined weight of the equipment and hardware, some surfaces are not suitable for installation.

Warning! Secure to a solid fixture, stability can be impaired if attaching to any unsecured surface or furniture.

Designed for indoor use, this mount is suitable for public or home installation. If located in a public or frequently populated area ensure that the product is out of the immediate reach of people. If any AV equipment is to be suspended over the likely path or location of people then great care should be taken to secure all parts of the installation from falling.

When drilling holes it is essential to avoid contact with electrical cables and water or gas pipes contained within.

Use of a good quality live wire detector and hidden object locator is therefore recommended.

Only drill into structures when you are sure it is safe to do so.

### Fixing hardware

It is highly recommended that all fixing screws be used where supplied and that the purpose of all other fixing hardware is fully understood. In some cases more AV equipment fixing hardware will be supplied to accommodate different models of equipment and set up configurations. The installer must be satisfied that any supplied fixing hardware is suitable for each specific installation. The fixing kit supplied with the product may not be suitable for all walls.

If any fixing screws or included hardware are deemed not sufficient for a safe installation then please consult a professional or your local hardware store.

### Hazard limitation

When routing cables take advantage of any built in cable management features that the product might provide and ensure that all cables are tidy and secure. Check to see that any moving aspect of the product can do so unhindered by any cabling. Some products have moving parts and the potential to cause injury through the crushing or trapping of fingers or other body parts. Particular attention to the nature of moving parts is required especially when assembling installing and adjusting during set up. Immediately after installation double-check that the work done is safe and secure. Double-check all necessary fixings are present and are of ample tightness.

### Operating & Maintenance

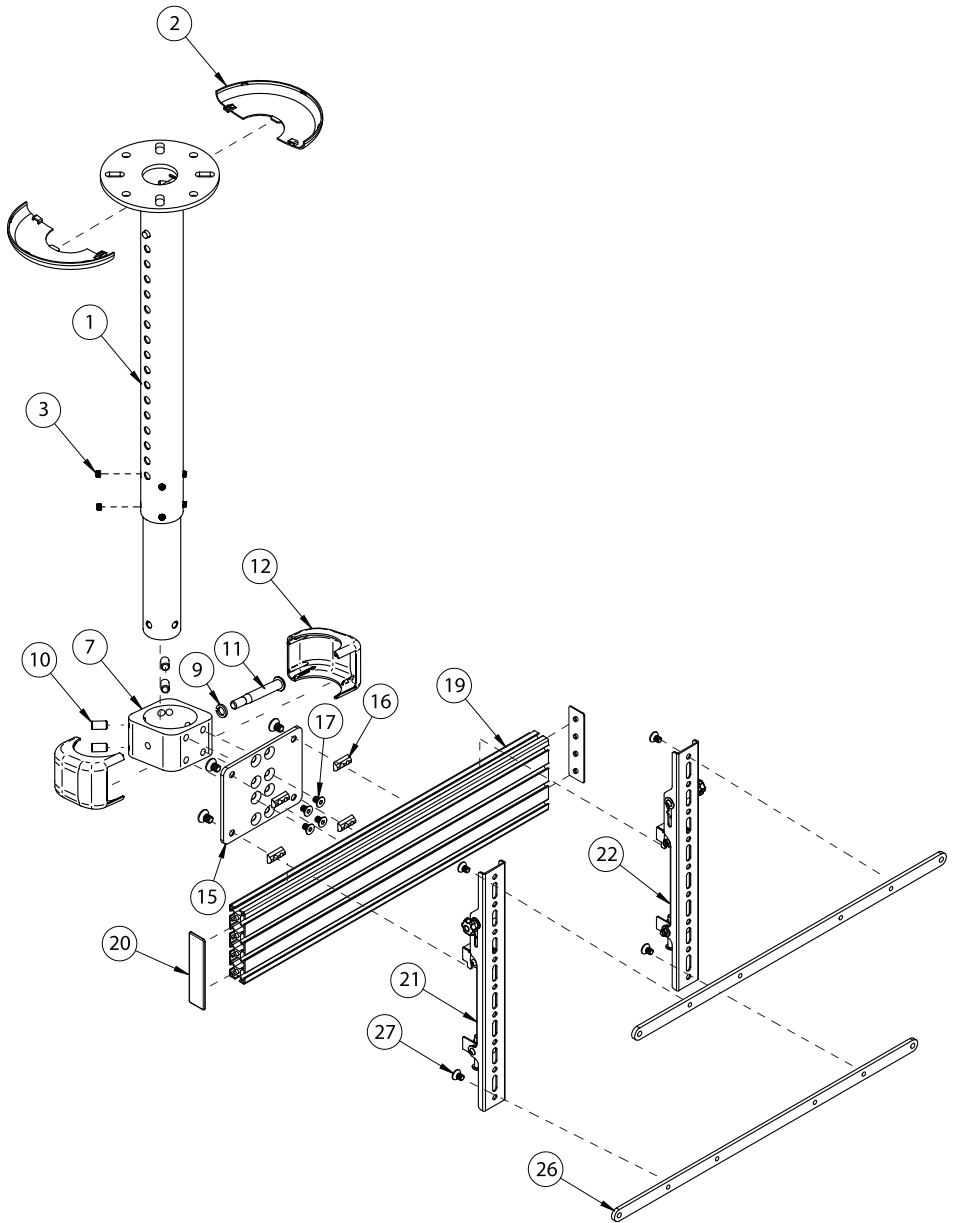
It is recommended that periodic inspections of the product and its fixing points are made as frequently as possible (no more than 6 months apart) to ensure that safety is maintained. B-Tech AV Mounts recommends that a suitably qualified person is used for the removal of this product. Please dispose of the product carefully and with consideration to the environment.

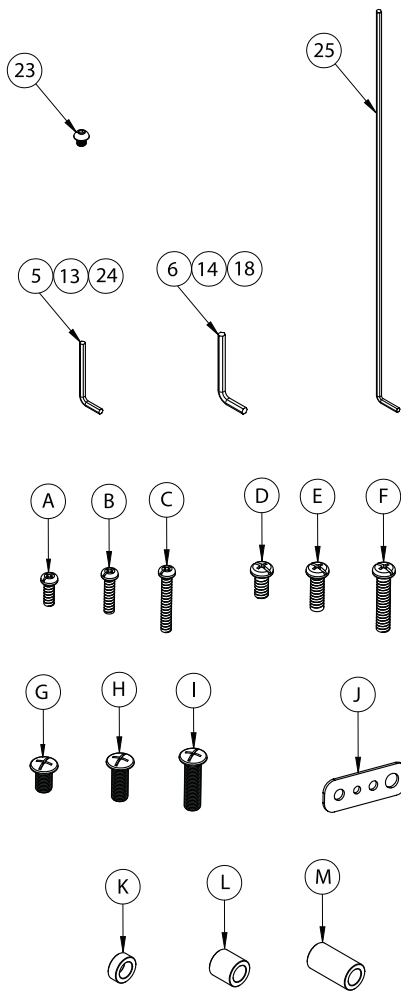
If in doubt consult a professional AV installer or other suitably qualified person.

- CN B-Tech AV Mounts 建议本产品由专业AV安装人员或其他合格人员安装。 B-Tech AV Mounts 及它的代理商、经销商不对由于不恰当的安装而造成的损失或伤害负责。 本产品必须安装在合适的架构上，并仅用于不超过所标示的最大承重。
- CS Společnost B-Tech AV Mounts doporučuje provést instalaci tohoto produktu instalátora AV či jinak způsobilé osoby. Společnost B-Tech AV Mounts, její distributoři a prodejci nenesou prostřednictvím odborného odpov. ědnost za škody nebo zranění způsobená nevhodnou instalací. Tento výrobek je nutno umístit do vhodné konstrukce a používat jen po uvedené maximální výšce.
- DE B-Tech AV Mounts empfiehlt, dass dieses Produkt durch einen qualifizierten AV-Techniker oder eine andere Person mit geeigneter Qualifikation installiert wird. B-Tech AV Mounts, ihre Distributoren und Händler können nicht für durch fehlerhafte Montage verursachte Beschädigung oder Verletzung haftbar bzw. verantwortlich gemacht werden. Dieses Produkt muss auf einem geeigneten Untergrund montiert werden und darf nur bis zum angegebenen Höchstgewicht verwendet werden.
- ES B-Tech AV Mounts recomienda que un instalador de audio y video profesional u otra persona debidamente cualificada instalen este producto. B-Tech AV Mounts, sus distribuidores y concesionarios no se hacen cargo ni se responsabilizan de ningún daño o lesión provocados por una instalación inapropiada. Este producto se debe montar en una estructura adecuada y se debe utilizar soportando solamente hasta el peso máximo indicado.
- FR B-Tech AV Mounts recommande de confier l'installation de ce produit à un installateur AV professionnel ou à une autre personne dûment qualifiée. B-Tech AV Mounts, ses distributeurs et ses revendeurs ne sauraient être tenus responsables de tout dégât ou de toute blessure résultant d'une installation incorrecte. Ce produit doit être monté sur un support approprié et utilisé dans la limite du poids maximum indiqué.
- IT B-Tech AV Mounts consiglia di affidare l'installazione di questo prodotto a un installatore specializzato o ad altra persona adeguatamente qualificata. B-Tech AV Mounts, i suoi distributori e rivenditori non accettano alcuna responsabilità nei riguardi di eventuali danni o infortuni causati da un'errata installazione. Questo prodotto deve essere fissato a una struttura idonea e utilizzato unicamente sino al peso massimo indicato.
- JP B-Tech AV Mounts はAV設置の専門家または適合した知識を備えた人が製品を設置することを推奨します。B-Tech AV Mounts と販売店、取引先はこうした安全指針に従わない場合に随伴される製品の損傷や傷害に対する責任を負いません。場合によって製品が設置されるに適していないところもあるので設置位置に特別な注意を傾けてください。この製品の位置に注意を傾けて設置に適していない壁があるかを確認してください。指定した重さ制限を超過するAV装備を装着しないでください。
- KR B-Tech AV Mounts 는 AV 설치 전문가 또는 적합한 지식을 갖춘 사람이 제품을 설치하도록 권장합니다. B-Tech AV Mounts 와 판매점, 거래처는 이러한 안전 지침을 따르지 않을 경우에 수반될 제품의 손상이나 상해에 대한 책임을 지지 않습니다. 경우에 따라 제품이 설치되기에 적합하지 않은 곳들도 있으므로 설치 위치에 특별한 주의 기울여 주시기 바랍니다. 제품의 설치 위치에 주의를 기울여 확인하십시오. 지정된 무게 제한을 초과하는 AV 장비를 장착하지 마십시오.
- NL B-Tech AV Mounts adviseert om dit product te laten installeren door een professionele AV-installateur of andere hiervoor gekwalificeerde persoon. B-Tech AV Mounts, haar distributeurs en dealers zijn niet aansprakelijk of verantwoordelijk voor schade of letsel die is veroorzaakt door onoordeelkundige installatie. Dit product moet worden gemonteerd aan een geschikte constructie, waarbij het aangegeven maximum gewicht niet mag worden overschreden.
- PL Firma B-Tech AV Mounts zaleca, aby ten produkt był instalowany przez profesjonalnych instalatorów AV lub inny odpowiednio przeszkolony personel. Firma B-Tech AV Mounts, jej dystrybutorzy i dealerzy nie ponoszą odpowiedzialności za uszkodzenia lub obrażenia ciała powstałe w wyniku nieprawidłowej instalacji. Niniejszy produkt musi być amontowany na odpowiedniej powierzchni, a podczas użytkowania nie wolno przekraczać podanego maksymalnego obciążenia.
- PT A B-Tech AV Mounts recomenda que a instalação deste produto seja efectuada por um instalador de AV instalador de AV profissional ou outra pessoa devidamente habilitada. A B-Tech AV Mounts e os seus distribuidores e concessionários não são responsáveis por danos ou lesões causados por uma instalação incorrecta. Este produto tem de ser montado numa estrutura adequada e utilizado somente até ao peso máximo indicado.
- RU Компания B-Tech AV Mounts рекомендует, чтобы установка данного изделия производилась инженером по установке аудио-видеотехники или другим специалистом с соответствующей квалификацией. Компания B-Tech AV Mounts ее дистрибьюторы и дилеры не несут ответственности за повреждения или травмы, полученные в результате неправильной установки.
- توصي بي-تك للتجارة الدولية المحدودة بأن شخص محترف في تركيب ال AV أو شخص مؤهل تأهيلا مناسباً لتركيب هذا المنتج. بي-تك للتجارة الدولية، موزعيها والتجار ليست عرضة أو مسؤولة عن الأضرار أو الإصابات الناجمة عن تركيب غير سليم، والاستخدام غير السليم أو عدم مراعاة هذه التعليمات للسلامة. يجب أن يتم تركيب هذا المنتج في بنية مناسبة ويجب استخدام فقط لدعم الحد الأقصى للوزن المشار إليه.

# BT8427 PARTS LIST

PLEASE KEEP THIS FOR FUTURE REFERENCE





ITEM	PART NAME	QTY
<b>BT7851</b>		
1	CEILING POLE MOUNT	1
2	CEILING PLATE COVER HALF	2
3	M8 x 6mm GRUB SCREW	8
4	POLE END RING (NOT REQUIRED)	1
5	4mm HEX KEY	1
6	5mm HEX KEY	1
<b>BT7051</b>		
7	COLLAR	1
8	M8 x 12mm SCREW (NOT REQUIRED)	8
9	M8 SPRING WASHER	9
10	M8 x 15mm GRUB SCREW	4
11	M8 x 65mm SAFETY BOLT	1
12	COVERPLATE HALF	2
13	4mm HEX KEY	1
14	5mm HEX KEY	1
<b>BT8390-CFK</b>		
15	COLLAR FIXING PLATE	1
16	M8 SLIDING NUT	4
17	M8 x 12mm CSK SCREW	8
18	5mm HEX KEY	1
<b>BT8390-050</b>		
19	0.5m MOUNTING RAIL	1
20	END CAPS	2
<b>BT8390-VESA400T</b>		
21	RIGHT INTERFACE ARM	1
22	LEFT INTERFACE ARM	1
23	M6 x 8mm SCREW	2
24	4mm HEX KEY	1
25	5mm LONG HEX KEY	1
<b>BT7564</b>		
26	600mm ADAPTOR ARM	2
27	M6 x 12mm SCREW	4
<b>INTERFACE KIT</b>		
A	M4 x 12mm SCREW	4
B	M4 x 25mm SCREW	4
C	M4 x 40mm SCREW	4
D	M6 x 16mm SCREW	4
E	M6 x 25mm SCREW	4
F	M6 x 40mm SCREW	4
G	M8 x 16mm SCREW	4
H	M8 x 25mm SCREW	4
I	M8 x 40mm SCREW	4
J	MULTI WASHER	4
K	5mm SPACER	4
L	13mm SPACER	4
M	24mm SPACER	4

## INSTALLATION TOOLS REQUIRED

Drill



Pencil



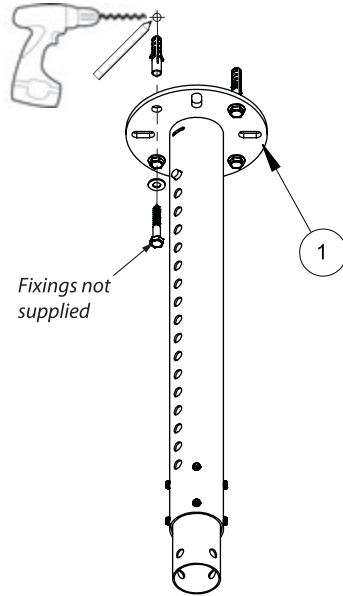
Crosshead screwdriver



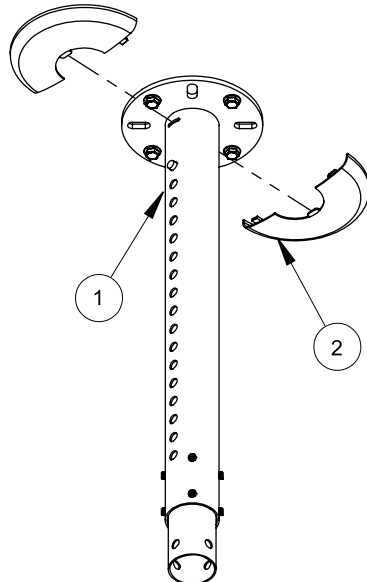
# INSTALLATION INSTRUCTIONS

## 1. ATTACH POLE MOUNT TO CEILING

i. Fix *item 1* to the ceiling using suitable fixings (*not supplied*).

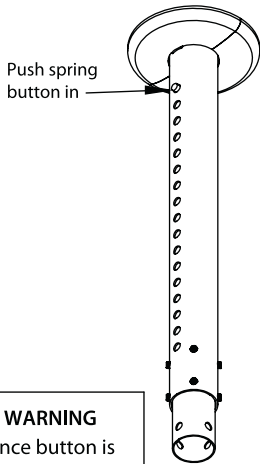


ii. Attach *item 2* to *item 1*.



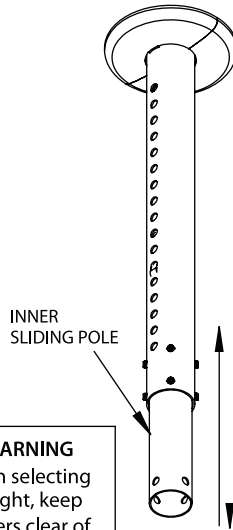
## 2. ADJUST CEILING DROP TO DESIRED HEIGHT

i. Push spring button to release height adjustment.



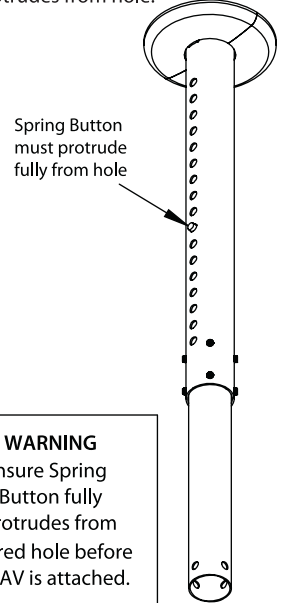
Push spring button in

ii. Move inner sliding pole to desired ceiling drop.



INNER SLIDING POLE

iii. When desired ceiling drop is reached, ensure spring button protrudes from hole.



Spring Button must protrude fully from hole

### WARNING

Once button is pushed in, the inner pole will fall to maximum extension if not held.

### WARNING

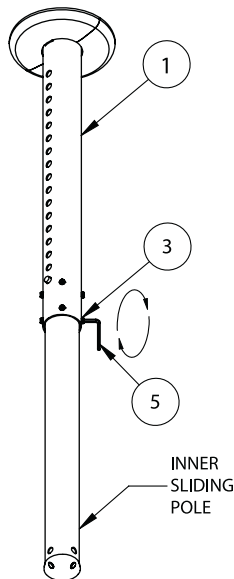
When selecting height, keep fingers clear of safety slot on reverse of pole.

### WARNING

Ensure Spring Button fully protrudes from desired hole before any AV is attached.

## 3. FIX INNER SLIDING POLE IN PLACE

Tighten *item 3* using *item 5* to ensure the inner sliding pole is fixed securely in position.

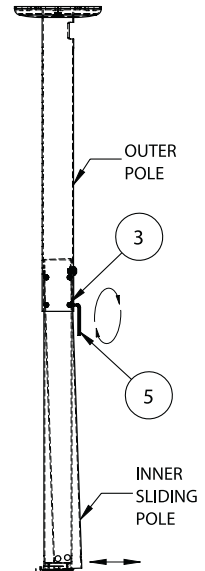


Not required  
POLE RING



INNER SLIDING POLE

**Note:** The angle of the inner sliding pole can be adjusted using *item 3* with *item 5*.



OUTER POLE

3

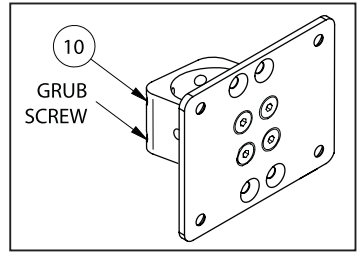
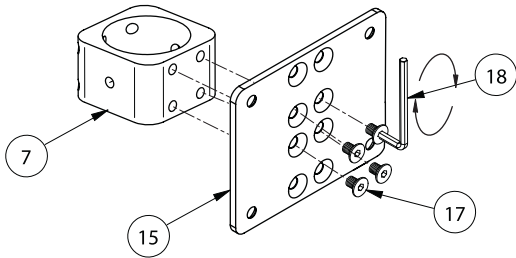
5

INNER SLIDING POLE

## 4. ATTACH COLLAR TO RAIL

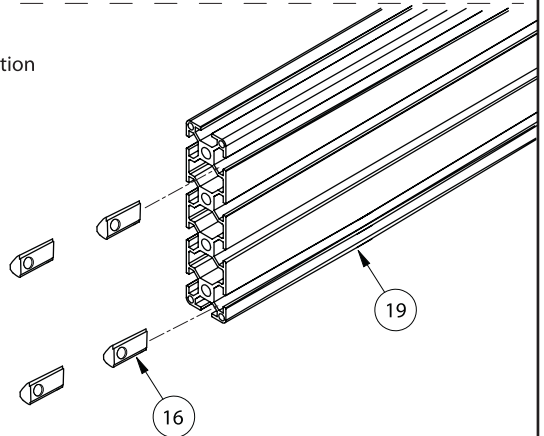
i. Attach *item 7* to *item 15* using *item 17*.

**Note:** Ensure the grub screws (*item 10*) are positioned on the back of the collar.

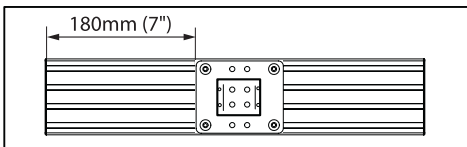
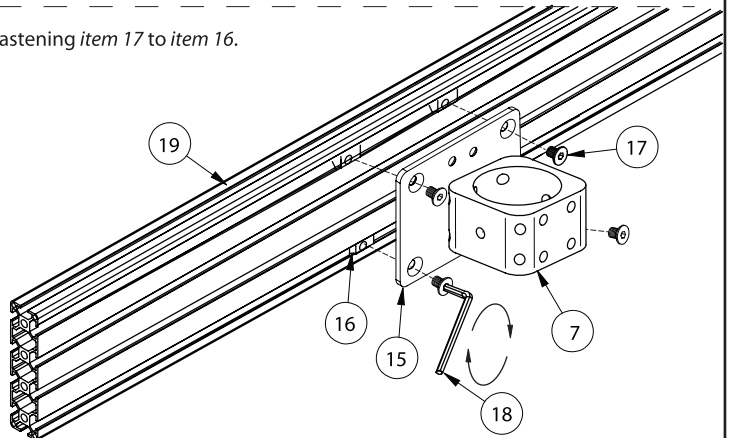


ii. Insert 4x *item 16* into *item 19*.

2 in the top channel, 2 in the bottom channel, position centrally in the mounting rail.



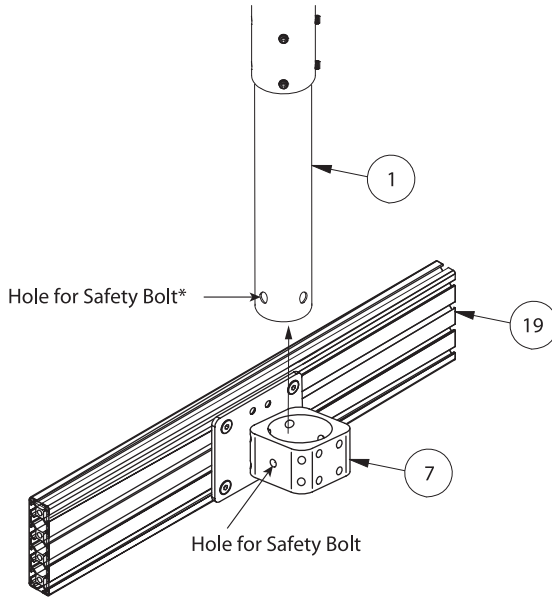
iii. Attach *item 15* to *item 19* by fastening *item 17* to *item 16*.



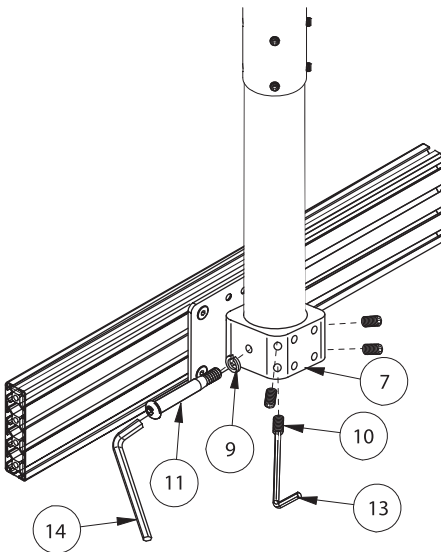


## 5. ATTACH RAIL TO CEILING POLE

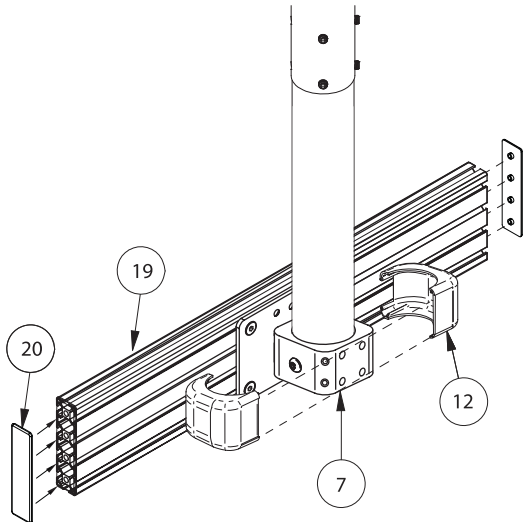
- i. Slide *items 7 & 19* onto the inner pole of *item 1*, lining up the safety bolt holes on the collar and bottom of the pole.



- ii. Fasten *item 10* on *item 7* and insert *item 11* through *items 10 & 7*, securing the rail to the ceiling mount.



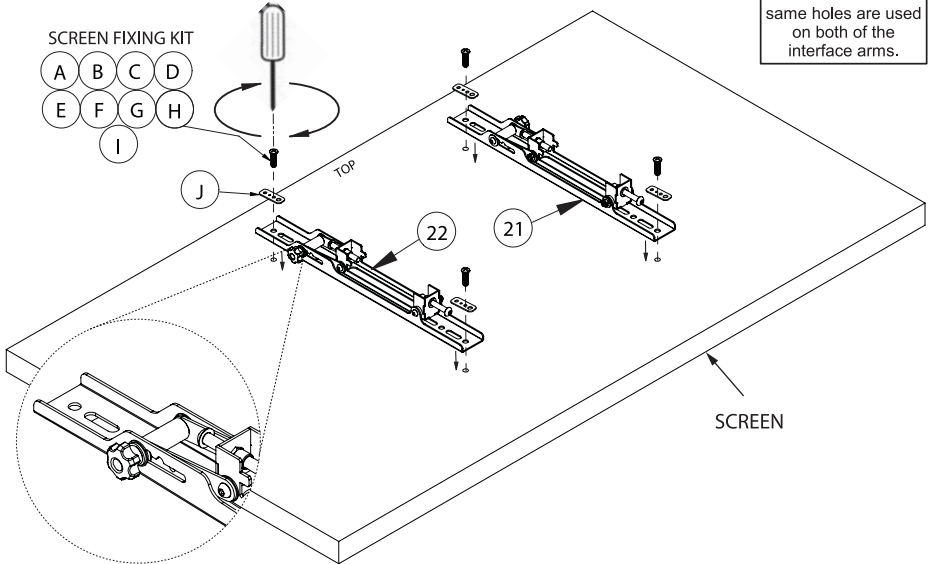
- iii. Attach *item 20* to *item 19* and *item 12* to *item 7*.



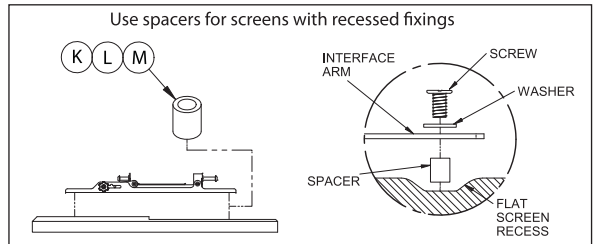
## 6. ATTACH INTERFACE ARMS TO SCREEN

Items 21 & 22 can mount screens with fixing patterns from 100 x 100mm up to 400 x 400mm.

**NOTE:** Ensure the same holes are used on both of the interface arms.

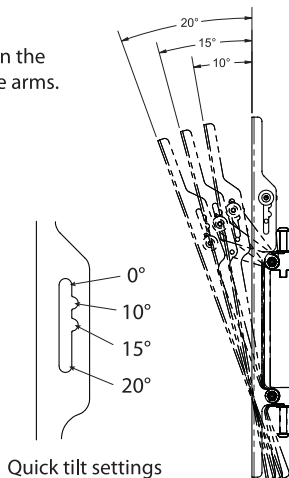
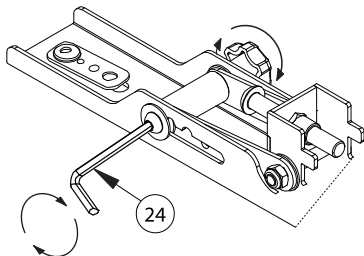


**IMPORTANT:** Ensure thumbwheels are facing outwards



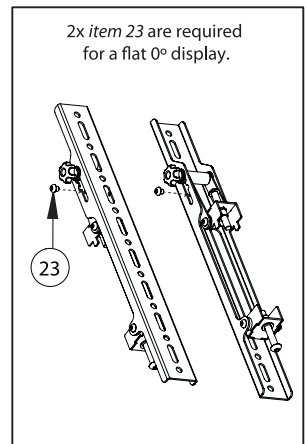
### Note: Set tilt before mounting screen

For tilt adjustment, use *item 24* to loosen the screw and thumbwheel on the interface arms. Re-tighten screw to fix tilt angle.



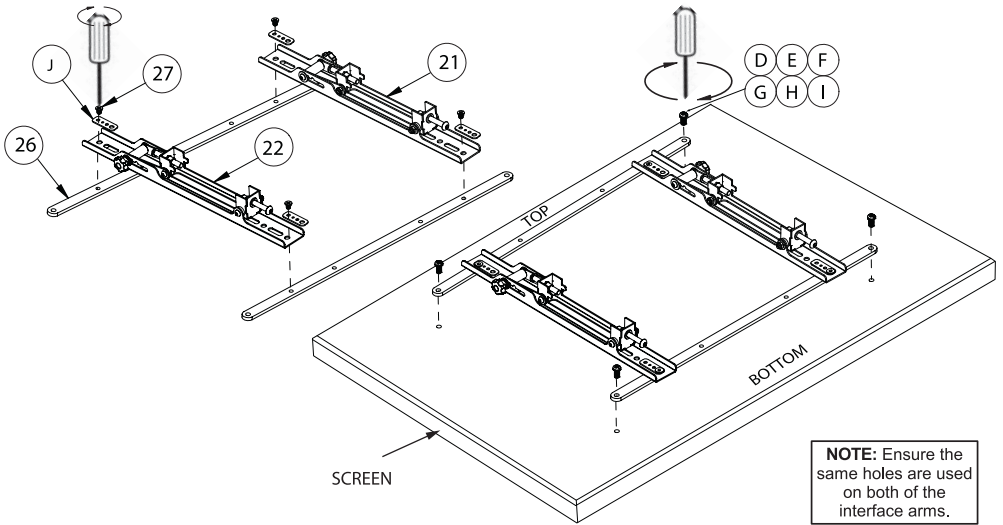
Quick tilt settings

2x *item 23* are required for a flat 0° display.

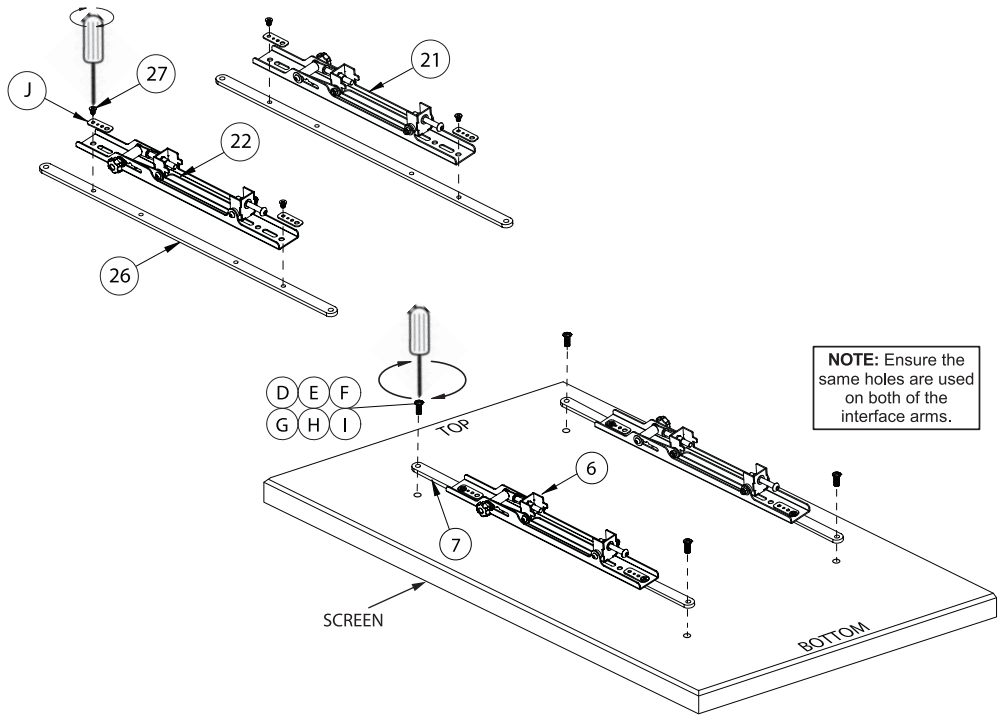


For screens with VESA 600 x 400mm fixings attach *item 26* onto *items 21 & 22* using *item 27* before mounting arms to screen.

**LANDSCAPE MOUNTING**

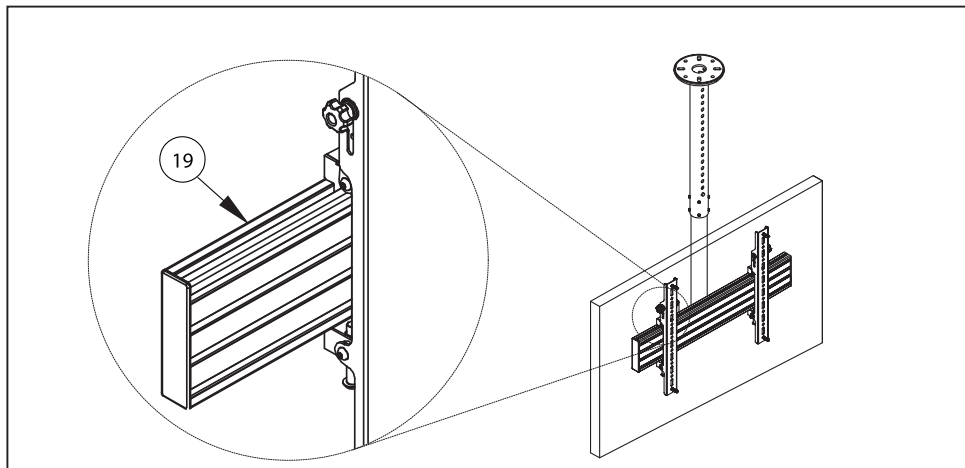
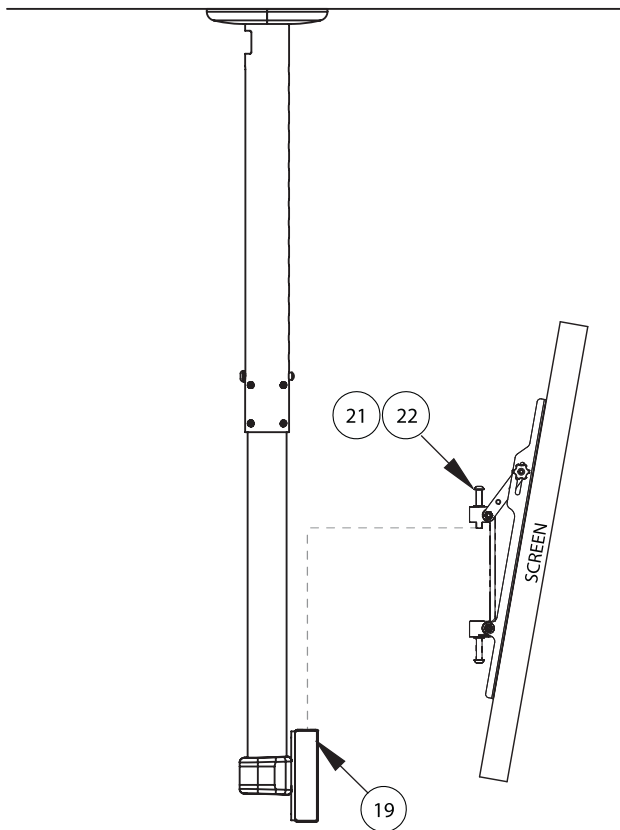


**PORTRAIT MOUNTING**



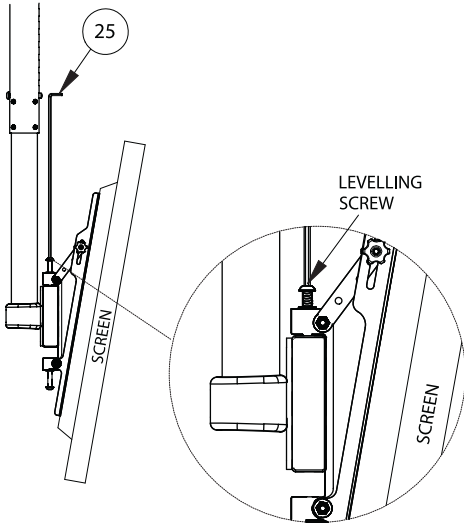
## 7. MOUNT SCREEN ONTO RAIL

- i. Using *items 21 & 22*, hook screen onto *item 19*.

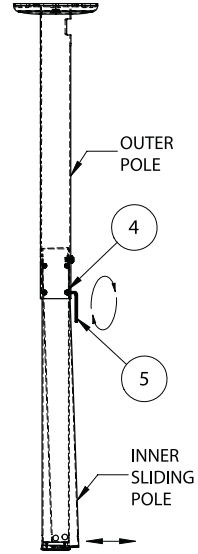


## 8. SECURE INSTALLATION

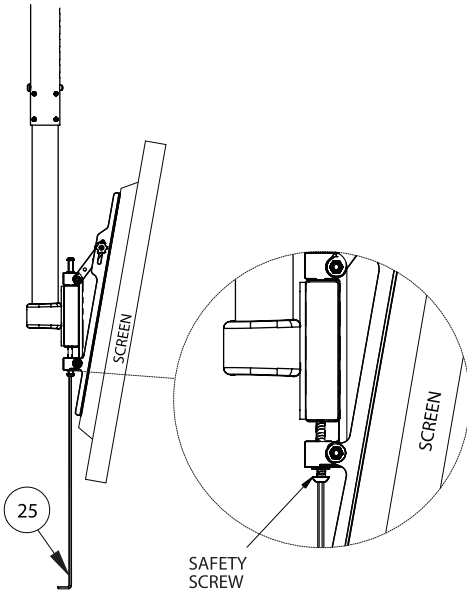
Optional If necessary adjust the top levelling screws on the interface arms to level screen.



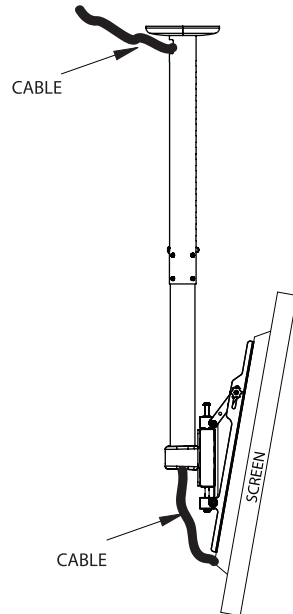
**Note:** If required the angle of the inner sliding pole can be straightened by adjusting *item 4* on the outer pole with *item 5*.



Secure mount by tightening the safety screw on the bottom of both interface arms.



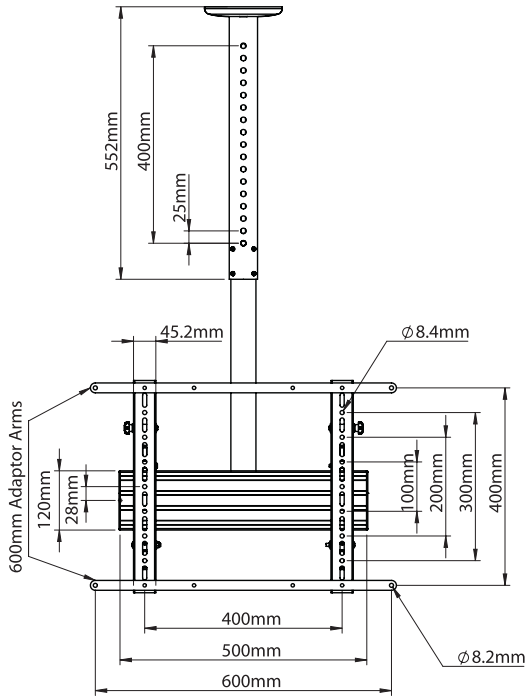
### iii. Cable Management



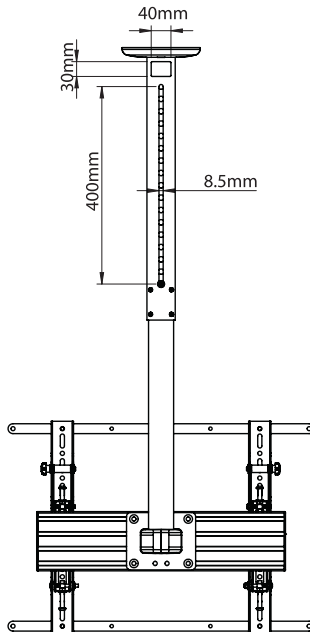
# BT8427 DIMENSIONS

PLEASE KEEP THIS FOR FUTURE REFERENCE

## FRONT VIEW



## REAR VIEW

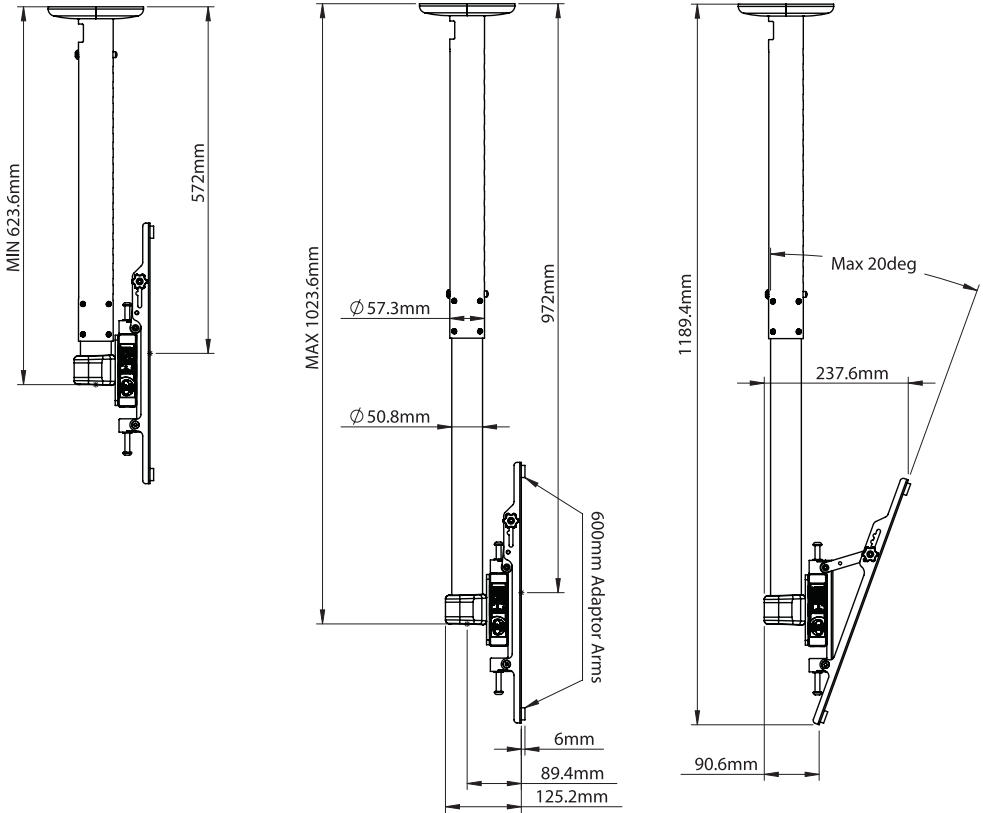


THESE INSTRUCTIONS ARE INTENDED AS A GUIDE ONLY AND B-TECH ACCEPTS NO LIABILITY FOR THE ACCURACY OF THE INFORMATION CONTAINED IN THIS DOCUMENT.

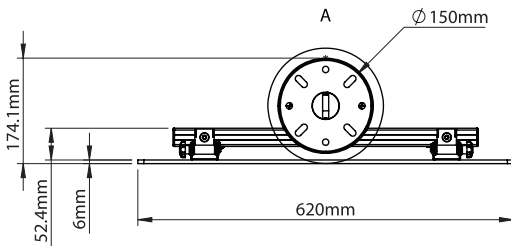
# BT8427 DIMENSIONS

PLEASE KEEP THIS FOR FUTURE REFERENCE

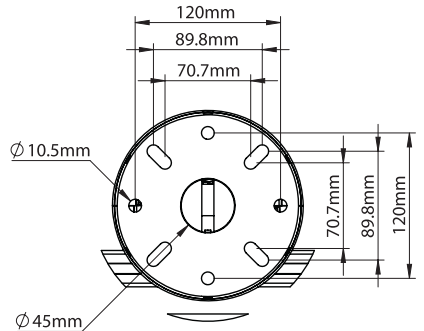
## SIDE VIEW



## TOP VIEW



## DETAIL A



THESE INSTRUCTIONS ARE INTENDED AS A GUIDE ONLY AND B-TECH ACCEPTS NO LIABILITY FOR THE ACCURACY OF THE INFORMATION CONTAINED IN THIS DOCUMENT.



**CONTACT:**

[info@btechavmounts.com](mailto:info@btechavmounts.com)

©2022 B-Tech International Design and Manufacturing Ltd. All rights reserved.  
B-Tech AV Mounts is a division of B-Tech International Design and Manufacturing Ltd.  
B-Tech AV Mounts and the B-Tech logo are registered trade marks.  
All other brands and product names are trademarks of their respective owners.  
Photographs are for illustrative purposes only. E&OE.

AMA-BT8427-V2.1-0822-BTECH

